

Medium Duty Spring Retractable Reels Air/Water/Oil - 1/4", 3/8", 1/2" I.D.

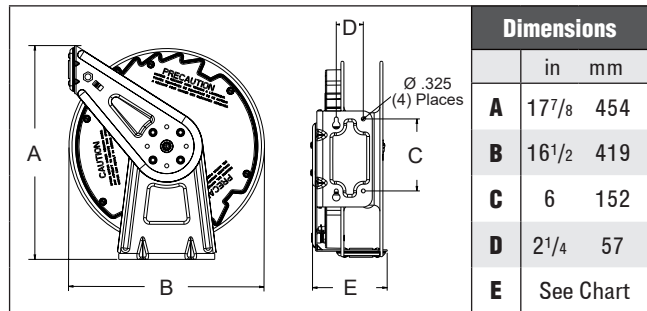


- Spool is constructed from a rugged engineered plastic
- Individually powder coated components offer maximum protection from premature corrosion
- The steel guide arm and base are stamped with ribs and gussets to ensure maximum strength and lightest possible weight
- Widened ratchet and latch pawl design greatly reduces wear and increases service life
- The industrial-grade drive spring completely containerized and permanently sealed
- Inlet hose is plumbed into the base to eliminate the risk of undue stress on the swivel
- Guide arm adjusts to seven positions



RT650-OLP

New Spool Material and Design!



Model with hose & bumper	Shipping Weight		Hose I.D.		Hose O.D.		Hose Length		**Max Pressure	NPT(M) Hose Outlet	NPT(F) Reel Inlet	NPT(F) Reel Outlet	E		
	lbs	kg	in	mm	in	mm	ft	m	psi	bar	in	in	in	in	mm
Low Pressure Air/Water Reels Maximum Temperature 150 °F (65 °C) **Maximum working pressure at 70 °F (20 °C)															
RT425-OLP	19	9	1/4	6	.475	12	25	8	300	21	1/4	3/8	1/4	6 ¹ / ₄	159
RT435-OLP	21	10	1/4	6	.475	12	35	11	300	21	1/4	3/8	1/4	6 ¹ / ₄	159
RT450-OLP	24	11	1/4	6	.475	12	50	15	300	21	1/4	3/8	1/4	6 ¹ / ₄	159
RT465-OLP	25	11	1/4	6	.475	12	65	20	300	21	1/4	3/8	1/4	6 ¹ / ₄	159
RT625-OLP	20	9	3/8	10	.600	15	25	8	300	21	1/4	3/8	1/4	6 ¹ / ₄	159
RT635-OLP	21	10	3/8	10	.600	15	35	11	300	21	1/4	3/8	1/4	6 ¹ / ₄	159
RT650-OLP*	27	12	3/8	10	.600	15	50	15	300	21	1/4	1/2	1/4	6 ¹ / ₄	159
RT825-OLP	26	12	1/2	13	.750	19	25	8	300	21	1/2	1/2	1/2	6 ¹ / ₄	159
RT835-OLP	27	12	1/2	13	.750	19	35	11	300	21	1/2	1/2	1/2	6 ¹ / ₄	159
RT850-OLP	37	17	1/2	13	.750	19	50	15	300	21	1/2	1/2	1/2	7 ³ / ₄	197
Medium Pressure Oil Reels Maximum Temperature 150 °F (65 °C)															
RT650-OMP	35	16	3/8	10	.710	18	50	15	1000	69	3/8	1/2	1/2	7 ³ / ₄	197
RT825-OMP	31	14	1/2	13	.820	21	25	8	1000	69	1/2	1/2	1/2	6 ¹ / ₄	159
RT835-OMP	32	15	1/2	13	.820	21	35	11	1000	69	1/2	1/2	1/2	6 ¹ / ₄	159

Low pressure reels furnished standard with PVC hose. Medium pressure reels furnished standard with S.A.E. 100R1-AT (3/8") or S.A.E. 100R17 (1/2") one wire braid hose or equivalent. *Side mount configuration available; visit reelcraft.com for more information.

Model without hose & bumper	Shipping Weight		Hose Capacity				Max Pressure	NPT(F) Reel Inlet	NPT(F) Reel Outlet	E				
	lbs	kg	I.D.		Length					in	in	in	mm	
Low Pressure Air/Water Reels Maximum Temperature 150 °F (65 °C)														
RT405-OLP	21	10	1/4	6	.475	12	50	15	300	21	3/8	1/4	6 ¹ / ₄	159
RT602-OLP	19	9	3/8	10	.600	15	25	8	300	21	3/8	1/4	5 ³ / ₄	146
RT605-OLP	22	10	3/8	10	.600	15	50	15	300	21	1/2	1/4	6 ¹ / ₄	159
RT803-OLP	23	10	1/2	13	.750	19	35	11	300	21	1/2	1/2	6 ¹ / ₄	159
RT805-OLP	25	11	1/2	13	.750	19	50	15	300	21	1/2	1/2	7 ³ / ₄	197
Medium Pressure Oil Reels Maximum Temperature 150 °F (65 °C)														
RT603-OMP	22	10	3/8	10	.710	18	35	11	1000	69	3/8	3/8	5 ³ / ₄	146
RT802-OMP	23	10	1/2	13	.820	21	25	8	1000	69	1/2	1/2	6 ¹ / ₄	159
RT803-OMP	23	10	1/2	13	.820	21	35	11	1000	69	1/2	1/2	6 ¹ / ₄	159



Interactive Reel Catalog

Visit reelcraft.com/catalog for complete product specifications, available parts, and accessories.



Pivot Bases & Swing Brackets

See page 43